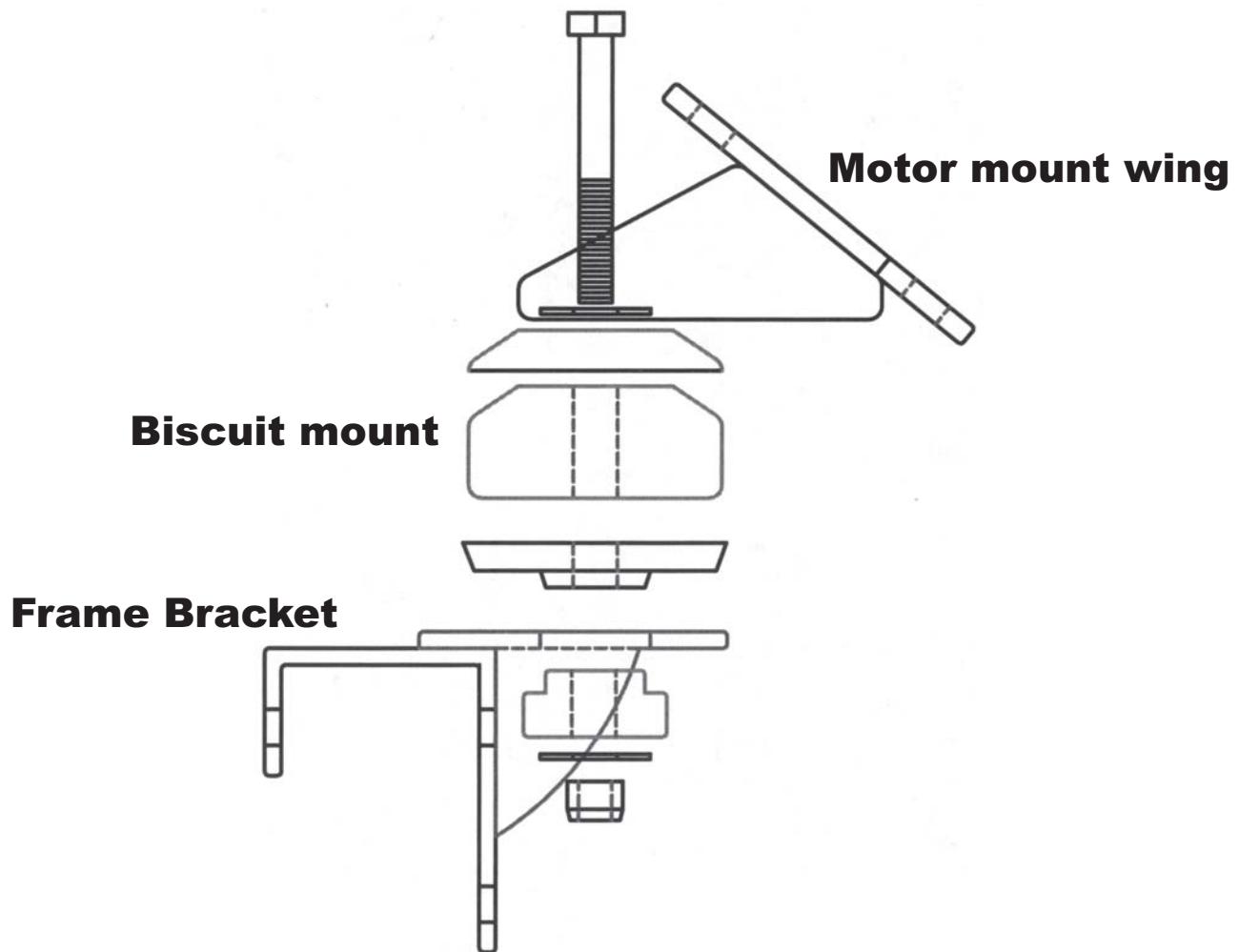




PART# 4196
MOTOR MOUNT KIT

**1958-UP SMALL BLOCK & BIG BLOCK CHEVY INTO
1949-54 CHEVY PASSENGER CARS** (Will not fit Canadian built cars)

1. Attach motor mount 'wings' to engine.
2. Align frame brackets to frame, using engine as a guide. The mounting bosses on the block will dictate the proper location.
3. After fit check, drill frame and attach frame brackets. (May be welded for added strength).
4. Lower engine and insert biscuit mounts between frame brackets and 'wings'. Bolt mounts into place using supplied hardware.



Note: These kits are intended as an aid in performing this swap. Other parts and modifications may be required. Thank you for choosing Trans-Dapt Performance Products.

12438 Putnam Street • Whittier, CA 90602 • tel (562) 921-0404 • fax (562) 921-7515
website: www.heman.com • email: techsupport@hedman.com